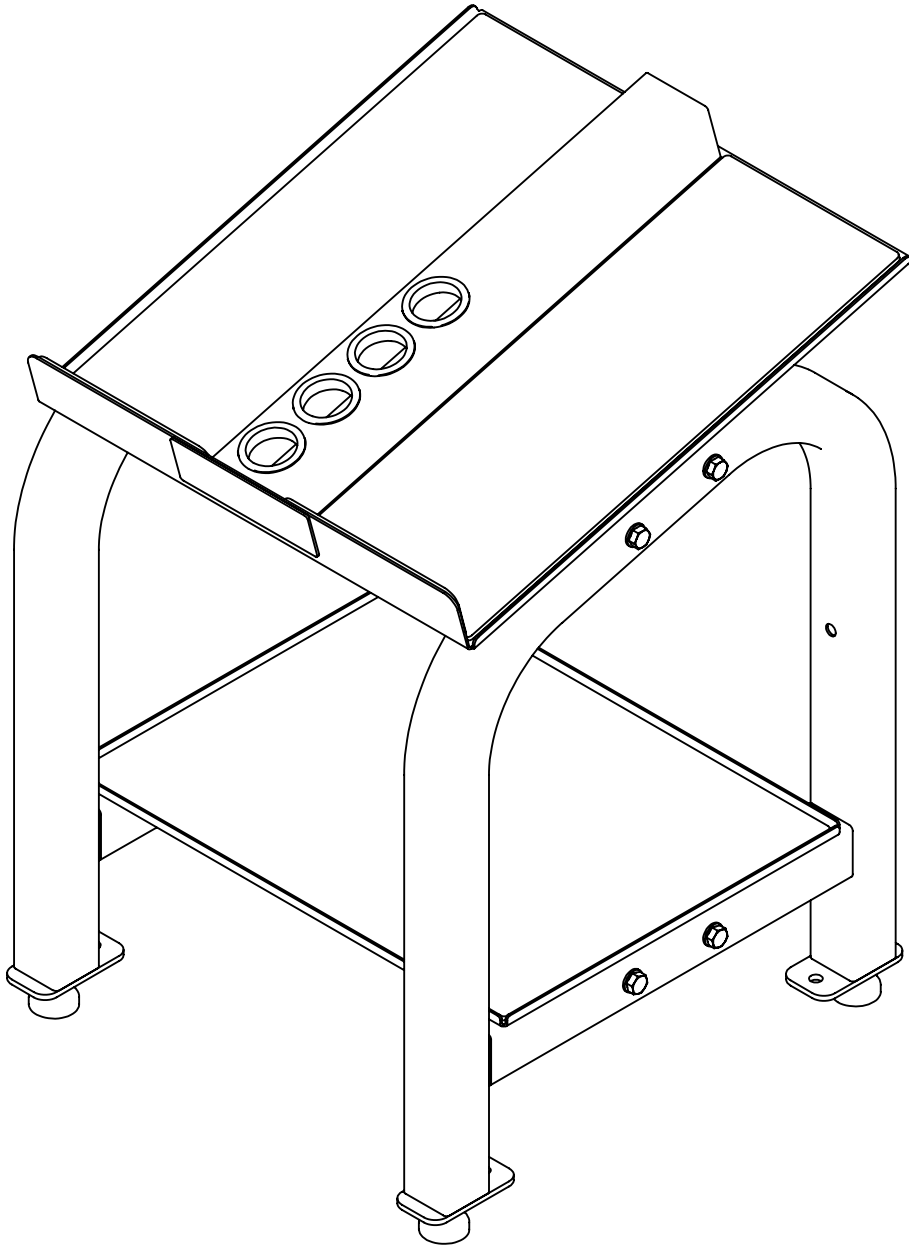


POWERBLOCK®

HOME RACK STAND ASSEMBLY INSTRUCTIONS



POWERBLOCK®

HOME RACK STAND ASSEMBLY STEP 1

| ITEM NO. | DESCRIPTION | QTY. |
|----------|-------------------------------------|------|
| 1 | HOME RACK STAND LEGS | 2 |
| 2 | HOME RACK STAND TOP TRAY | 1 |
| 3 | HOME RACK STAND BOTTOM TRAY | 1 |
| 4 | M10 - 1.5 mm X 70 mm HEX HEAD BOLTS | 8 |
| 5 | M10 WASHERS | 16 |
| 6 | M10 - 1.5 mm LOCK NUTS | 8 |

TOOLS NEEDED: TWO 17mm WRENCHES.

1. ATTACH STAND BOTTOM TRAY (ITEM 3) TO ONE STAND LEG (ITEM 1) WITH SUPPLIED HARDWARE. DO NOT TIGHTEN HARDWARE.
2. ATTACH OTHER STAND LEG (ITEM 1) TO STAND BOTTOM TRAY (ITEM 3) WITH SUPPLIED HARDWARE. DO NOT TIGHTEN HARDWARE.

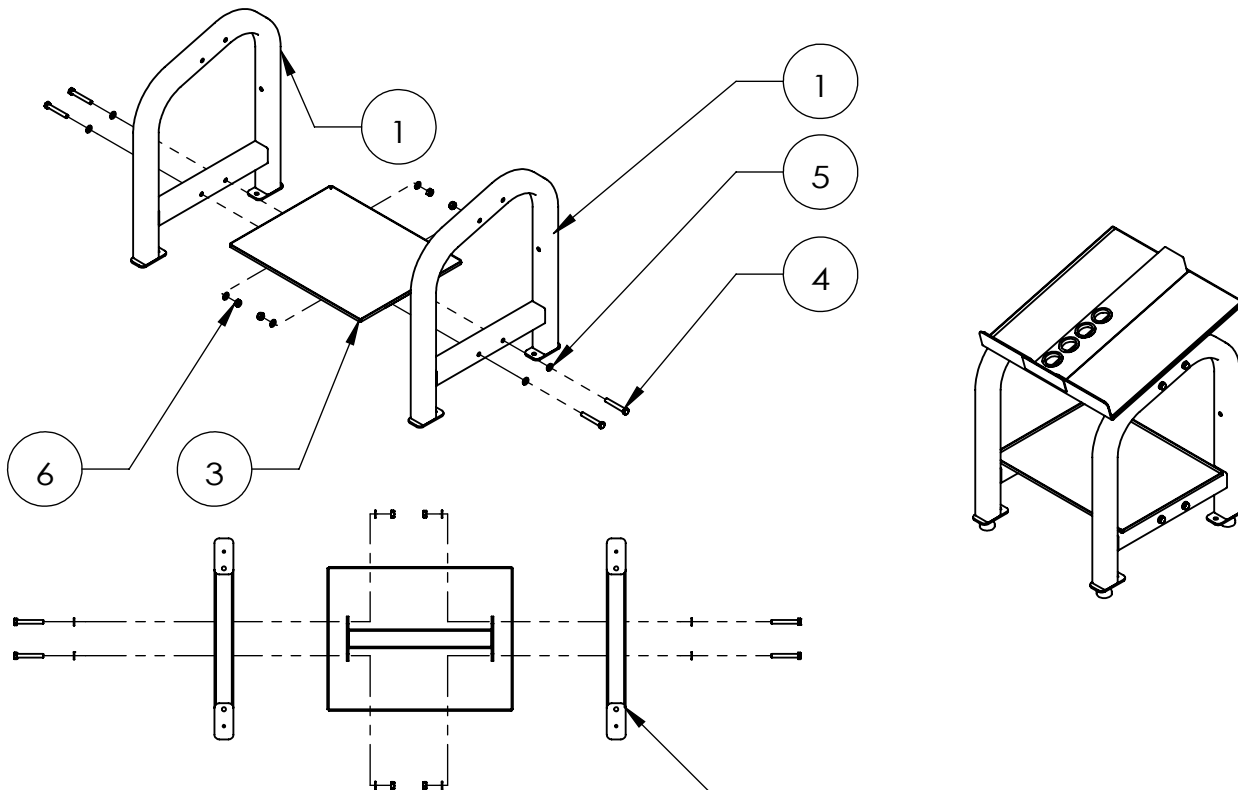
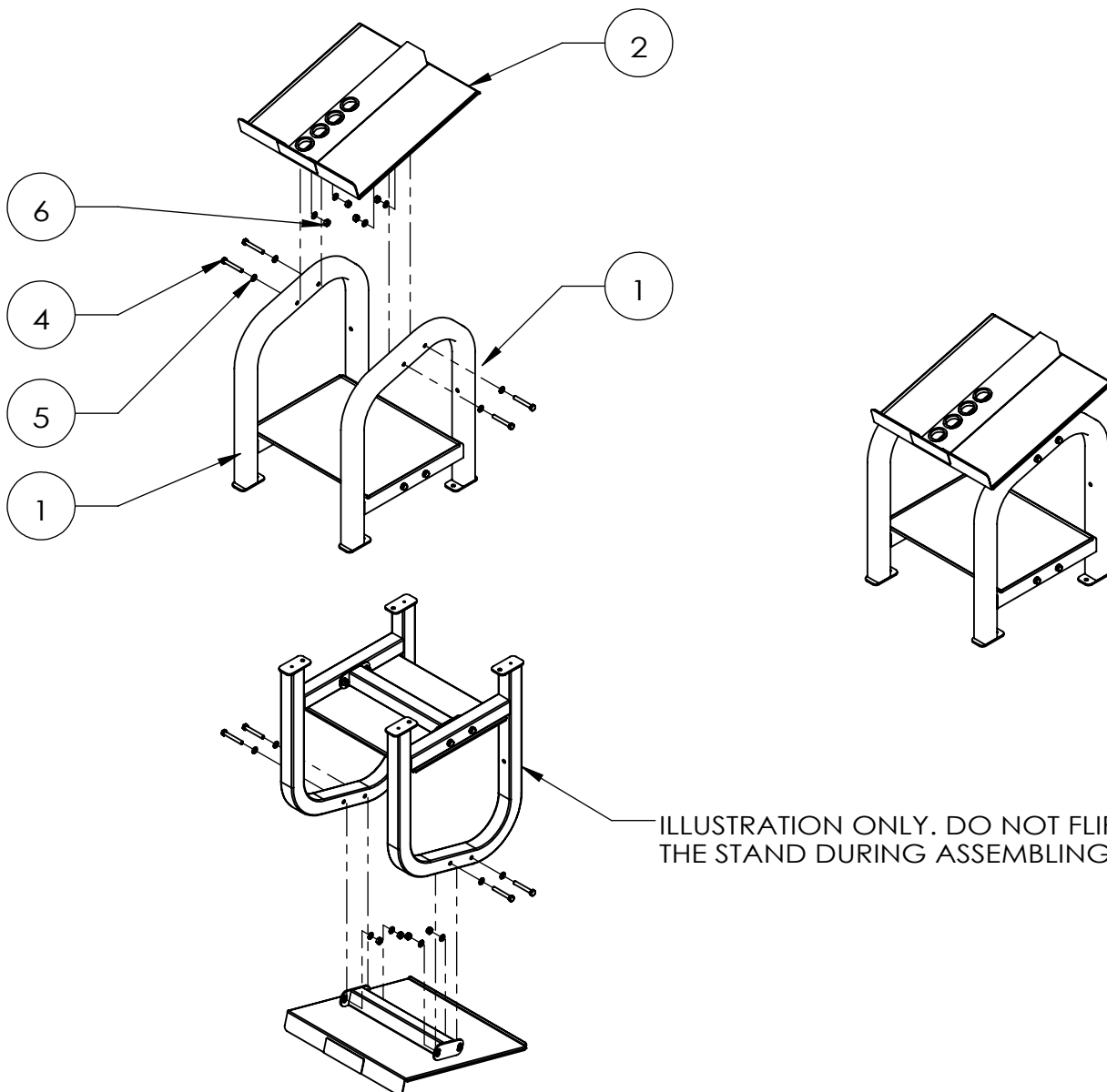


ILLUSTRATION ONLY. DO NOT FLIP THE STAND DURING ASSEMBLING.

POWERBLOCK®

3. ATTACH STAND TOP (ITEM 2) TO ONE STAND LEG (ITEM 1) WITH SUPPLIED HARDWARE. DO NOT TIGHTEN HARDWARE.
4. ATTACH OTHER STAND LEG (ITEM 1) TO STAND TOP (ITEM 2) WITH SUPPLIED HARDWARE. DO NOT TIGHTEN HARDWARE.
5. TIGHTENING THE HARDWARE WHILE ENSURING ALL FOUR FEET ARE IN FULL CONTACT WITH THE GROUND. INSTALL THE INCLUDED LEVELING MOUNTS IF NECESSARY (SEE NEXT PAGE).

FOR USE ON FIRM AND FLAT SURFACE ONLY



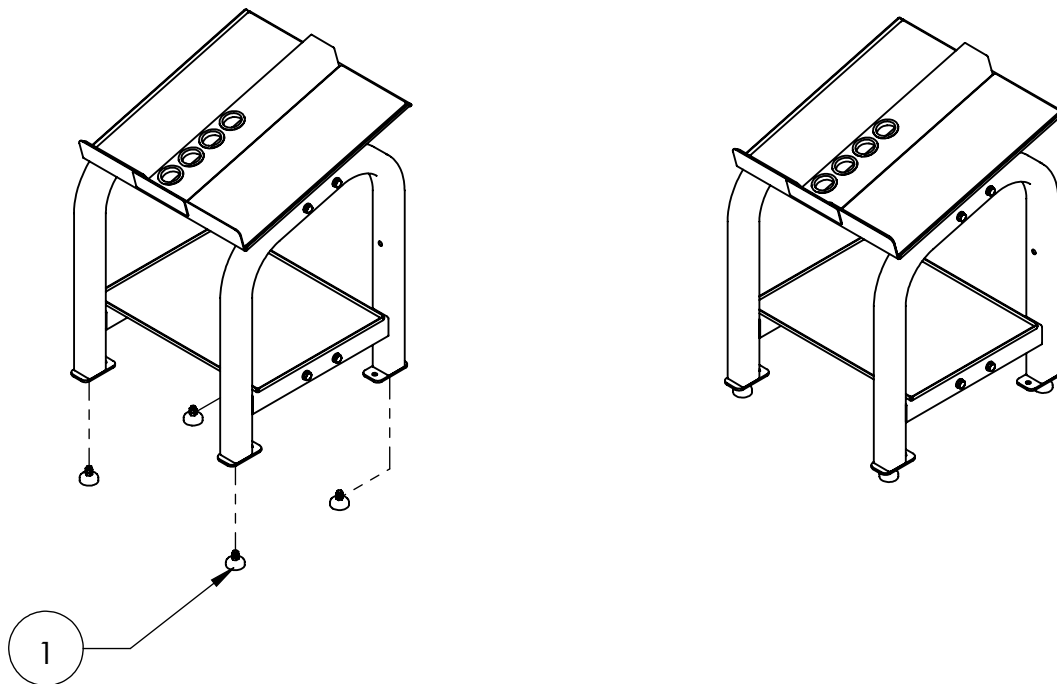
POWERBLOCK®

HOME RACK STAND ASSEMBLY STEP 2

| ITEM NO. | DESCRIPTION | QTY. |
|----------|-----------------|------|
| 1 | LEVELING MOUNTS | 4 |


1. **OPTIONAL:** ATTACH LEVELING MOUNTS (ITEM 1) TO BOTTOM FOOT PLATES AND ADJUST THE HEIGHT OF THE LEVELING MOUNTS BY LOOSENING OR TIGHTENING OF THE THREADS. THEN TIGHTEN THE JAM NUTS.


FOR USE ON FIRM AND FLAT SURFACE ONLY




IMPORTANT SAFETY INSTRUCTIONS

1. Read and fully understand all instructions contained in this manual prior to using the product. Be alerted to the possibility of injury. Do not be careless.
2. Inspect the stand prior to each use. Do not use a stand with worn, damaged, or loose parts, fasteners or hardware.
3. MAX LOAD: 750 lb.
4. Before beginning your workout, make certain that your surroundings are free from potential interference.

 **WARNING:** Injury may occur if stand top tray and lower storage shelf are not emptied prior to moving the stand. Stand should be moved in a slow and controlled manner.

 **WARNING:** Never allow children to use or play near this equipment. Anyone under the age of 18 must always have parental supervision and instruction on the use of these products.

 **WARNING:** Injury may occur if stand is not assembled per the instruction manual. If you have any questions regarding the assembly, please contact customers service at 1-800-997-3999 .

 **WARNING:** Use the stand on a FLAT AND FIRM SURFACE ONLY. Damage to the products and potential injury may occur.